

PMA.Evolution (model EV01X2)

For use in zone 1 (Class I, Div 1) hazardous areas



- One cable for power and data
- Integrated mixing module processes one formulation
- New high contrast display technology
- Glass sensor touch technology
- Multi-lock security function

Technical data

Capacity	7500 999,95 g
Readability	0,1 0,05 g
Tare range (subtractive)	-7500 g
Weighing pan (∅)	233 mm
Housing (WxDxH)	233 x 321 x 341 mm
Net weight	approx. 2.4 kg
External calibration weight	1, 2, 5 kg (class F2 or better)
Allowable operating temperature	5 ... 45 °C (41 ... 113 °F)
Dust and water protection rating in accordance to EN 60529/IEC 60529:	IP40
Power supply	via USB 2.0 or 3.0 interface or power supply YPS06-USB
Input voltage power consumption	5 V _{DC} 2 W
Approval	Ex zone 1 Class I, Div 1
IECEX	Ex ib IIB T4 Gb
ATEX	II 2G Ex ib IIB T4 Gb
FM (USA)	IS CL I, DIV 1, GP CD, T4; CL I, Zone 1, AEx ib IIB T4
FM (CAN)	IS CL I, DIV 1, GP CD, T4; CL I, Zone 1, Ex ib IIB T4
Data output	USB Type B
Format	7-bit ASCII, 1 Start-bit, 1 or 2 Stop-Bits
Parity	Even, odd, no parity
Transmission rates	1200 to 57,600 Bit/s
Handshake mode	Software, Hardware or None
Internal application	Integrated mixing module Recalculation (correction of over-pours) Calculation by factor (0.25 – 5.0) Dual range 0.05 g (up to 999.95 g) Hardware test and communication symbol

Standard accessories

Ex Link converter	YCO14-Z
Link cable to converter, length 10 m (32.8 ft.)	YCC01-0052M10
Grounding cable, 2 m (6.5 ft.)	YCC01-X046M2
USB cable, length 5 m (16.4 ft.)	YCC01-0040M5

Optional accessories

In-use cover for display (set of 10)	YDC03PMA10
In-use cover for column (set of 10)	YDC03PMA-CO10
In-use cover for weighing pan (set of 10)	YDC03PMA-WP10

Link cable to converter, length 20 m (65.6 ft.)	YCC01-0052M20
Link cable to converter, length 30 m (98.4 ft.)	YCC01-0052M30

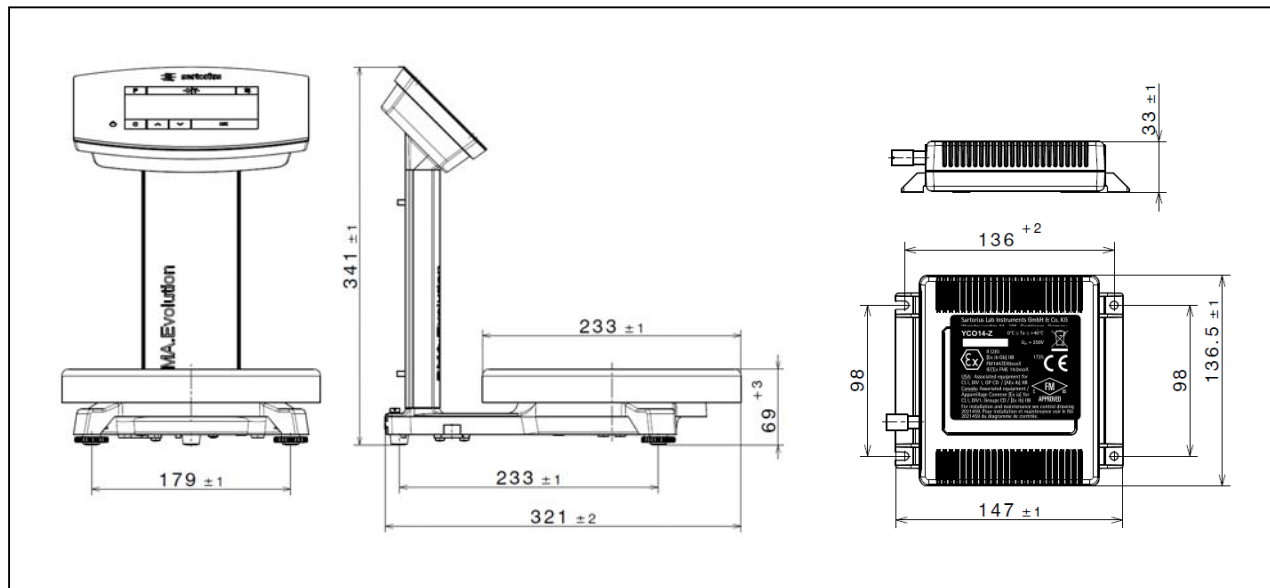
USB power plug 5 V _{DC} / 900 mA	YPS06-USB
AC-adapter set (US, EU, UK)	YAK01
AC- adapter set (AU, ZA, BR)	YAK02
AC- adapter set (IN, KR, CN)	YAK03

External calibration weight 1 kg (class F2)	YCW614-AC-00
External calibration weight 1 kg (class F2) with DAKKS certificate	YCW614-AC-02
External calibration weight 2 kg (class F2)	YCW624-AC-00
External calibration weight 2 kg (class F2) with DAKKS certificate	YCW624-AC-02
External calibration weight 5 kg (class F2)	YCW654-AC-00
External calibration weight 5 kg (class F2) with DAKKS certificate	YCW654-AC-02



EVO1X2 rear view

Dimension drawing



Specifications subject to change without notice.

Current status: May 2015